

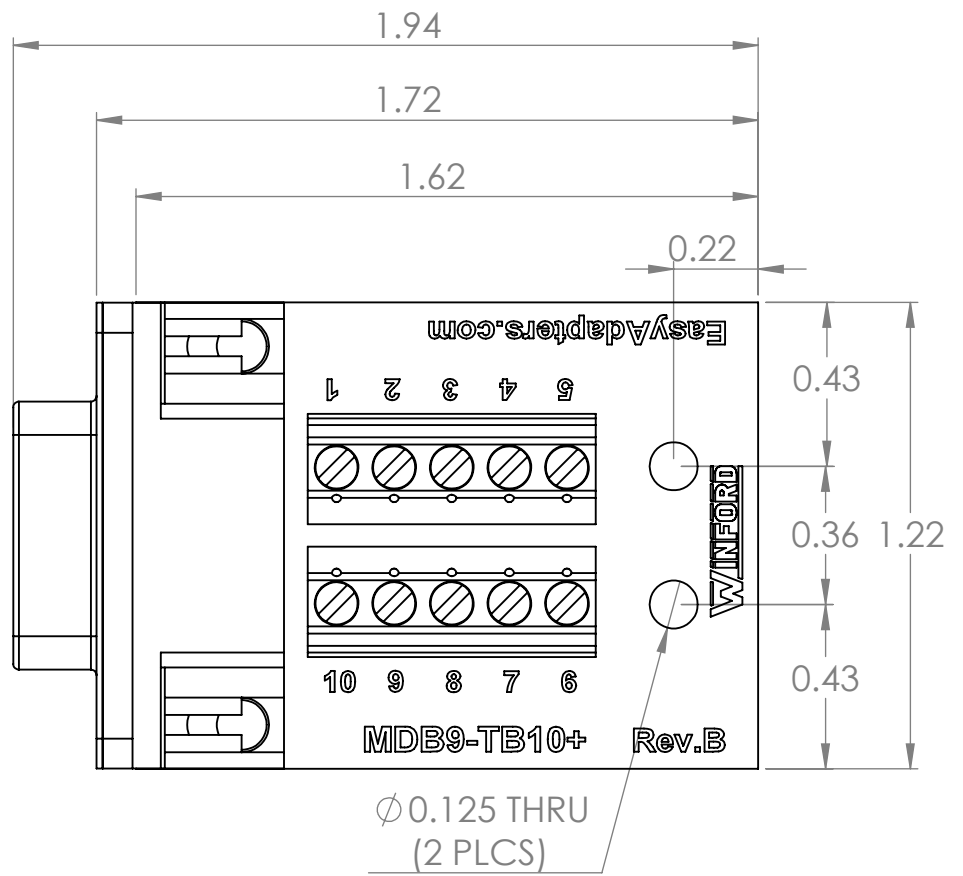
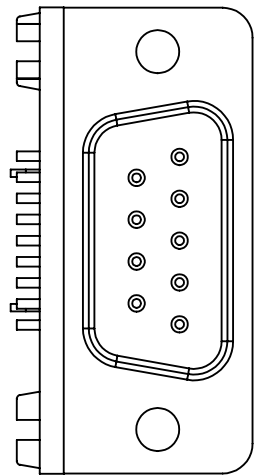
4

3

2

1

B

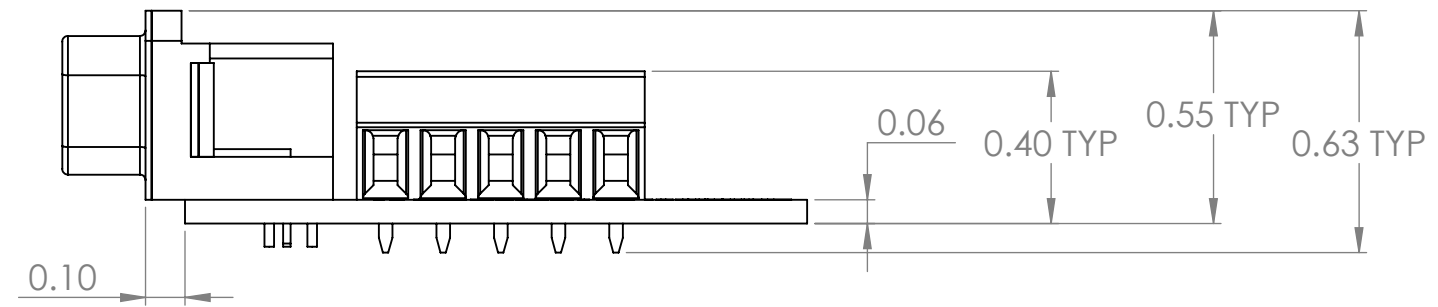
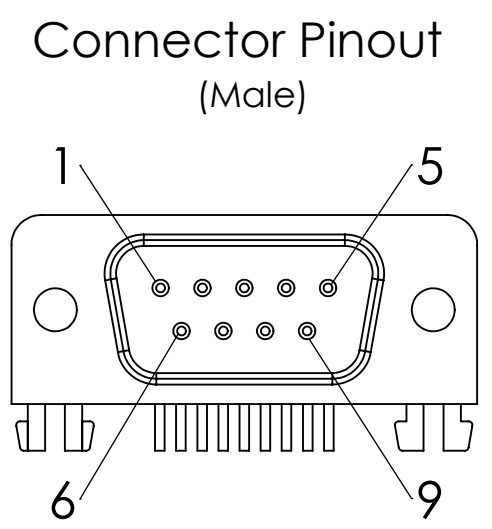


#4-40 Pan-Head, 5/16" For Connector Mount (Qty: 2)	
0.1" Zip Tie, 4" For Wire Strain Relief (Qty: 1)	
Adhesive Backed Foam Pad for optional solder joint insulation (Qty: 1)	

Parts Included (Not Installed)

B

A



A

4

3

2

1

DIM: INCH	DATE: 06/19/2024	RoHS COMPLIANT: Yes	DESCRIPTION:
			DB-9, Male 10-Position Adapter
WINFORD ENGINEERING, LLC 4561 GARFIELD ROAD AUBURN, MI 48611			PART NUMBER (S)
www.winford.com			MDB9-TB10+
989-671-9721			PART REVISION
			B